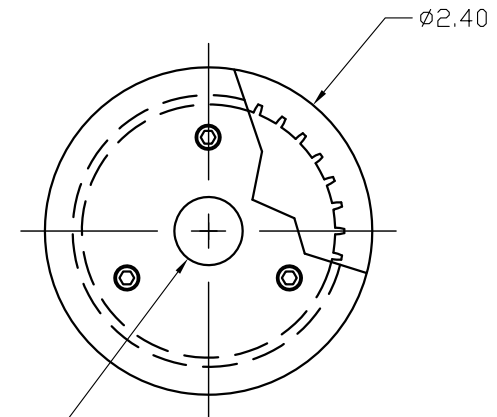


SSS #10-24 X 1/2 LG. (CRES)
-2 PL., 120° APART



Ø0.501 THROUGH
Ø0.500

B115-1036 WAFER - SPROCKET, 32 TOOTH -2 PL.

NOTES:

1.

		X	
		X	
QTY	PART OR POSITION NO.	NAME	DESCRIPTION - MATERIAL - FINISH
UNLESS OTHERWISE SPECIFIED 1. DIMENSIONS ARE PER ANSI Y14.5-1973 2. SURFACE ROUGHNESS PER ANSI B46.1-1978 3. LINEAR DIMENSIONS IN INCHES 4. LINEAR TOLERANCES: .X ± .05, .XX ± .02, .XXX ± .005 5. ANGULAR TOLERANCES: X ± 5°, X ± .5° 6. MACHINED SURFACES: 1 AND / ALL PLANES .002/INCH DIAMETERS WITHIN .005 TIR MAXIMUM SURFACE ROUGHNESS ✓ 32 7. BREAK EDGES .01 TO .03 8. FILLETS R0.02 MAX			
		SCALE: 1/1	THE INFORMATION DISCLOSED HEREIN IS THE EXCLUSIVE PROPERTY OF TECHNICAL FILM SYSTEMS OR MAY CONTAIN PROPRIETARY RIGHTS OF OTHERS AND IS NOT TO BE USED OR DISCLOSED TO OTHERS WITHOUT THE WRITTEN CONSENT OF THE ABOVE
		DRAWN: MM 12/22/10	
		ENGR: MICHELSON	
		APPR:	
		REFERENCE DWG.	ASSY. - SPROCKET, 32 TOOTH
			SH 1 OF 1 B115-0107